

# Amphenol Aerospace Operations

## Fiber Optic Products

### Cylindrical ARINC 801 Connectors



- Based on commercial ARINC 801 specification
- Removable insert for termini endface cleaning
- Standard D38999 plug and wall mount shells
- Scoop proof shell design
- Guide pins for precision alignment
- Standard plastic insertion/extraction tools (M81969/14-03)

Amphenol

Aerospace Operations

40-60 Delaware Ave.

Sidney, NY 13838

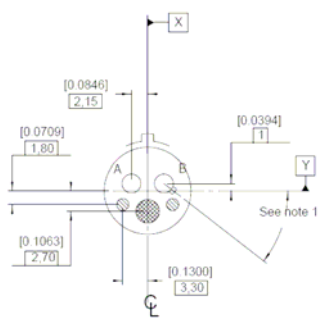
Phone: 607-563-5011

[www.amphenol-aerospace.com](http://www.amphenol-aerospace.com)

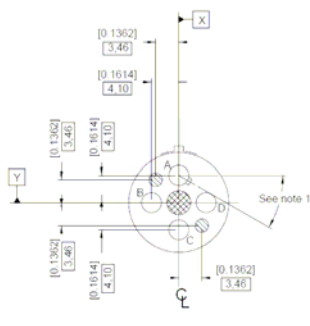
# Amphenol Aerospace Operations Fiber Optic Products

## Insert Arrangements Front face of the receptacle view

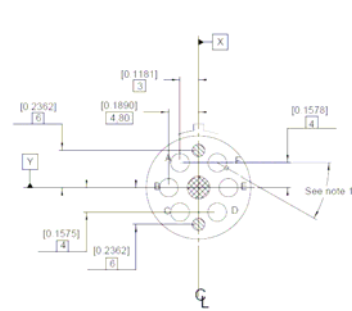
Arrangement 11-02



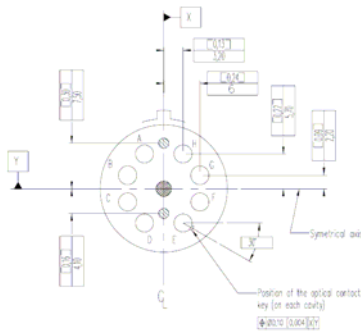
Arrangement 13-04



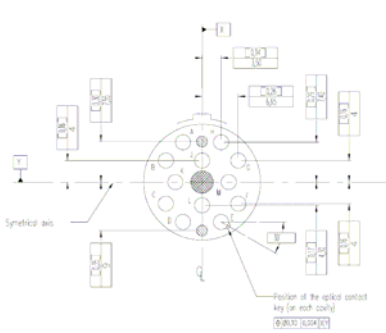
Arrangement 15-06



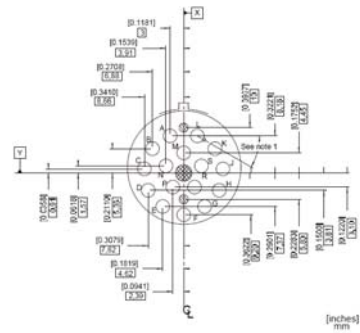
Arrangement 17-08



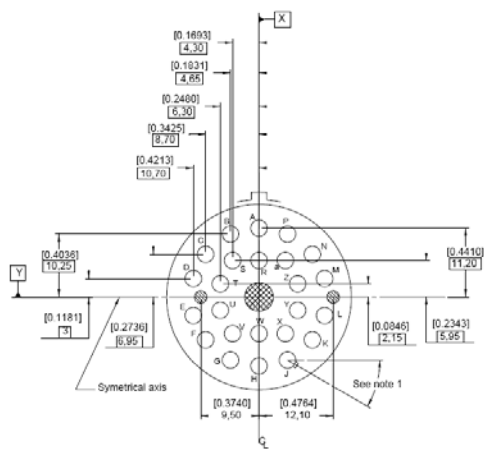
Arrangement 19-12



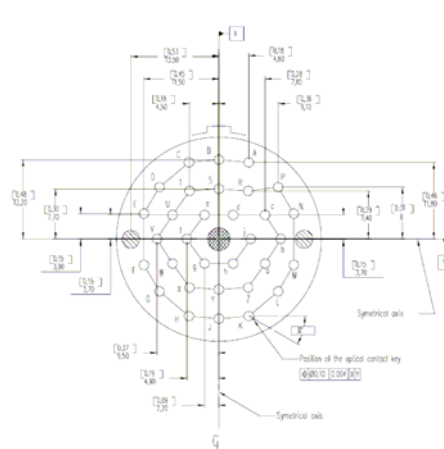
Arrangement 21-16



Arrangement 23-24



Arrangement 25-32



Consult factory for availability of insert arrangements

**Amphenol**  
Aerospace Operations  
40-60 Delaware Ave.  
Sidney, NY 13838  
Phone: 607-563-5011

[www.amphenol-aerospace.com](http://www.amphenol-aerospace.com)