

Bulkhead Feed-Through Connectors



BENEFITS

- + **Corrosion Resistance:**
Stainless Steel & Olive Drab Cadmium shells capable of withstanding 500 hours of salt spray.
- + **Environmentally Sealed:**
Environmentally sealed when mated with Mil-Spec plug.
- + **Gender Availability:**
Available in a variety of gender options tailored to your application needs.
- + **Contact Protection:**
Recessed pins in this 100% scoop-proof connector minimize potential contact damage.
- + **Versatile:**
Mates to standard D38999 plug connectors (D38999/26).
- + **Temperature:**
Performs in ranges from -65°C through 200°C.

OPTIONS

- + Standard D38999 insert patterns
- + Available in improved leak rate (10^{-4}) versions
- + Contact Amphenol for Firewall Capability
- + Mil-Spec platings available for both aluminum and stainless steel shells
- + Also available: filtering, thermocouple, high speed, & fiber optics, contact Amphenol for more information

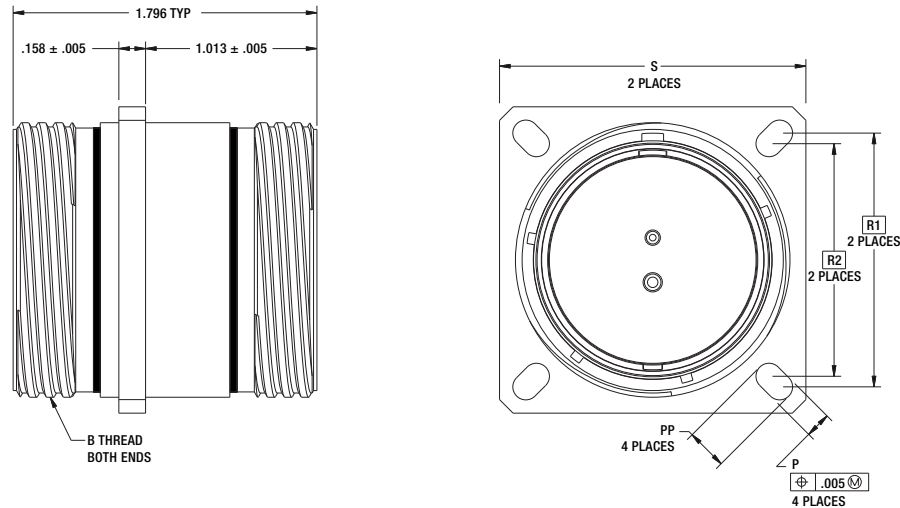
Contact Us:
Ben Tomaino
E-mail: btomaino@amphenol-aao.com
Phone: 607-563-5188

WHAT ARE THEY?

- + Double-ended receptacles, with feed-through contacts
- + Removes the need for discrete wire termination when assembling the connector
- + Available in multiple shell and contact styles
- + Flexible design to meet your specific application needs
- + Designed to meet applicable requirements for 38999 Series III
- + Offer mating option to Mil-Spec plugs
- + Allow for long-term ease of assembly and serviceability

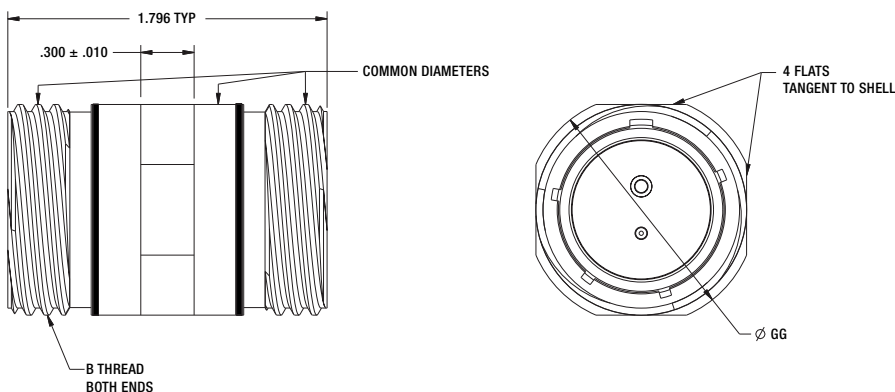


TVB00- Wall Mount



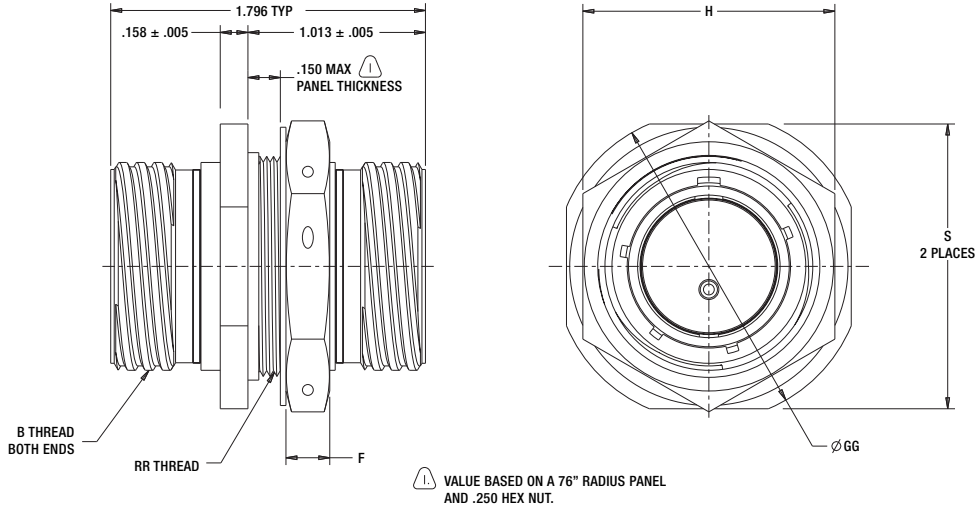
Connector Size	B Thread Class 2A, Blunt Start per 9-3200-2	P ±.007	PP ±.007	R1	R2	S ±.010
9	.6250-0.IP-0.3L-TS	.128	.216	.719	.594	.937
11	.7500-0.IP-0.3L-TS	.128	.194	.812	.719	1.031
13	.8750-0.IP-0.3L-TS	.128	.194	.906	.812	1.126
15	1.0000-0.IP-0.3L-TS	.128	.173	.969	.906	1.220
17	1.1875-0.IP-0.3L-TS	.128	.194	1.062	.969	1.311
19	1.2500-0.IP-0.3L-TS	.128	.194	1.156	1.062	1.437
21	1.3750-0.IP-0.3L-TS	.128	.194	1.250	1.156	1.563
23	1.5000-0.IP-0.3L-TS	.154	.242	1.375	1.250	1.689
25	1.6250-0.IP-0.3L-TS	.154	.242	1.500	1.375	1.811

TVB01 - In-Line



Connector Size	B Thread Class 2A, Blunt Start	Ø GG
9	.6250-0.IP0.3L-TS	.725
11	.7500-0.IP0.3L-TS	.850
13	.8750-0.IP0.3L-TS	.975
15	1.0000-0.IP0.3L-TS	1.100
17	1.1875-0.IP0.3L-TS	1.290
19	1.2500-0.IP0.3L-TS	1.350
21	1.3750-0.IP0.3L-TS	1.475
23	1.5000-0.IP0.3L-TS	1.600
25	1.6250-0.IP0.3L-TS	1.725

TVB07- Jam Nut



Connector Size	B Thread Class 2A	S	Ø GG	RR Thread		H Hex ±.016
9	.6250-0.IP-0.3L-TS	1.062	1.188	M17X1-6g	N/A	.875
11	.7500-0.IP-0.3L-TS	1.250	1.375	M20X1-6g	N/A	1.000
13	.8750-0.IP-0.3L-TS	1.375	1.500	M25X1-6g	N/A	1.188
15	1.0000-0.IP-0.3L-TS	1.500	1.625	M28X1-6g	N/A	1.312
17	1.1875-0.IP-0.3L-TS	1.625	1.750	M32X1-6g	31.92-31.80	1.438
19	1.2500-0.IP-0.3L-TS	1.812	1.938	M35X1-6g	N/A	1.562
21	1.3750-0.IP-0.3L-TS	1.938	2.062	M38X1-6g	N/A	1.688
23	1.5000-0.IP-0.3L-TS	2.062	2.188	M41X1-6g	N/A	1.812
25	1.6250-0.IP-0.3L-TS	2.188	2.312	M44X1-6g	N/A	2.000

F
.184 +.002 -.005
.250 +.010 -.000

How to Order

1. Connector Type	2. Shell Style	3. Service Class	4. Shell Size – Insert Arrangement	5. Contact Type	6. Alternate Positions
TVB	07	RW	23-151	SP	B

Note: Panel Accommodations: .060 - .150"

1. Select a Connector Type

	Designates
TVB	Bulkhead Feed-Through Connector

2. Select a Shell Style

	Designates
00	Wall mount receptacle
01	Line receptacle
07	Jam nut receptacle

3. Select a Service Class

	Designates
RF	Aluminum, Electroless nickel
RW	Aluminum, Olive drab cadmium
RL	Stainless steel, Electroless nickel
RK	Stainless steel, Firewall capability - Contact Amphenol for Availability
DT	Aluminum, Durmalon
DZ	Aluminum, Black Zinc-Nickel



4. Select a Shell Size – Insert Arrangement

Shell Sizes are per MIL-DTL-38999 Series III

Shell Size	Insert Arrangement
9-	Fill in applicable 38999 insert patterns.
11-	
13-	
15-	
17-	
19-	
21-	
23-	
25-	

Note: Contact factory for insert availability.

5. Select a Contact Type

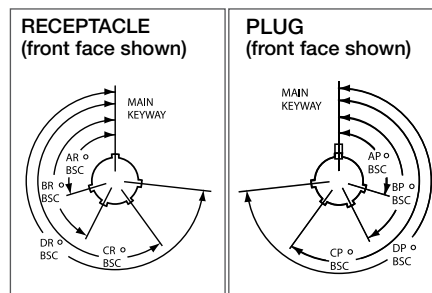
	Designates
SP	Socket-Pin
PS	Pin-Socket
PP	Pin-Pin

Note: For Jam Nut/Wall Mount versions the first letter designates the panel side of the connector (see drawing) while the second letter in the sequence designates the opposite side. The In-Line can be reversed.

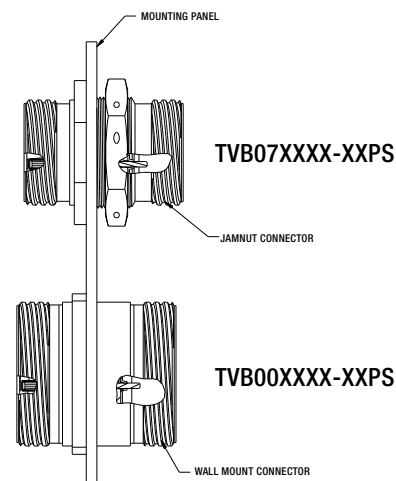
6. Select an Alternate Position

A, B, C, D, E or blank for normal.

Shell Size	Key & keyway arrangement identification letter	AR° or AP° BSC	BR° or BP° BSC	CR° or CP° BSC	DR° or DP° BSC
9	N	105	140	215	265
	A	102	132	248	320
	B	80	118	230	312
	C	35	140	205	275
	D	64	155	234	304
11, 13, and 15	E	91	131	197	240
	N	95	141	208	236
	A	113	156	182	292
	B	90	145	195	252
	C	53	156	220	255
17 and 19	D	119	146	176	298
	E	51	141	184	242
	N	80	142	196	293
	A	135	170	200	310
	B	49	169	200	244
21, 23, and 25	C	66	140	200	257
	D	62	145	180	280
	E	79	153	197	272
	N	80	142	196	293
	A	135	170	200	310
	B	49	169	200	244
	C	66	140	200	257
	D	62	145	180	280
	E	79	153	197	272



A plug with a given rotation letter will mate with a receptacle with the same rotation letter. The angles for a given connector are the same whether it contains pins or sockets. Inserts are not rotated in conjunction with the master key/keyway.



Notice: Specifications are subject to change without notice. Contact your nearest Amphenol Corporation Sales Office for the latest specifications. All statements, information and data given herein are believed to be accurate and reliable but are presented without guarantee, warranty, or responsibility of any kind, expressed or implied. Statements or suggestions concerning possible use of our products are made without representation or warranty that any such use is free of patent infringement and are not recommendations to infringe any patent. The user should assume that all safety measures are indicated or that other measures may not be required. Specifications are typical and may not apply to all connectors.